

MP Series - Monobloc Pumps

Design Features

STANDARDISED DESIGN

The **EUROFLO** MP Series are close coupled versions of the widely recognised **EUROFLO** EU range which is designed and manufactured to the International Standard DIN 24255.

OPERATING TEMPERATURES

With standard Mechanical Seal -5°C to -105°C
Mechanical Seals are available for applications outside these limits.

OPERATING PRESSURES

Maximum operating pressure : PN 10 Bar.
Maximum test pressure up to : PN 16 Bar.

BACK PULL-OUT FACILITY

All pumps incorporate the "Back Pull-out" facility allowing the removal of the complete rotating element without disturbing the pipework. This feature enables quick and simple maintenance to take place.

INTERCHANGEABILITY

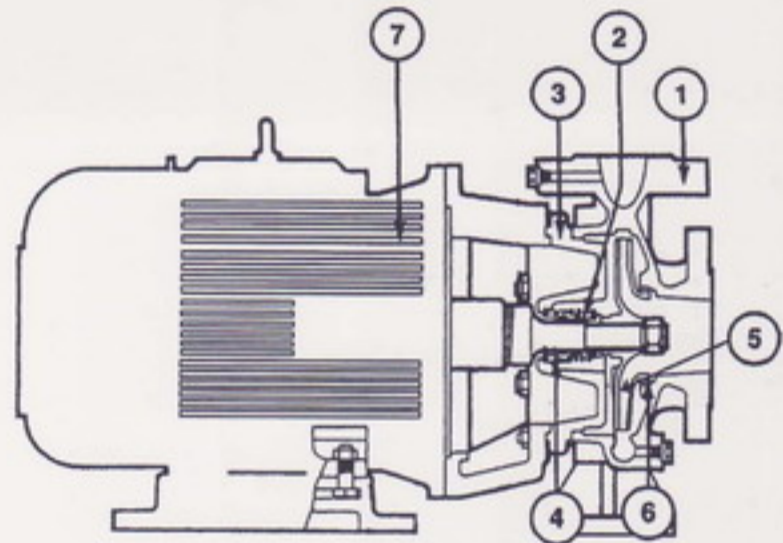
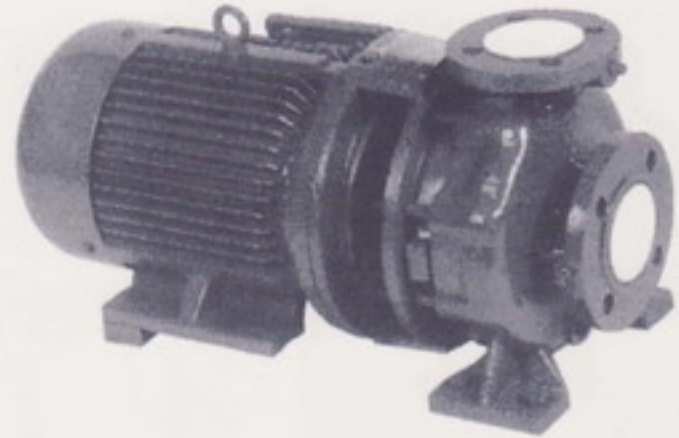
Many of the components are interchangeable resulting in a reduction in spares requirements, and an initial cost saving.

MOTOR OPTIONS

The design of the range means that readily available standard electric motors are used. Alternatively, a motor to suit your particular specifications can be fitted where special protection classes and enclosures are required, or to suit a certain power supply (i.e. Weatherproof, flameproof, 60Hz).

MAXIMUM SPEED

Either 50Hz (1450rpm/2900rpm) or 60Hz (1750/3500rpm) speed motors can be supplied with impellers reduced to comply with the higher speeds.

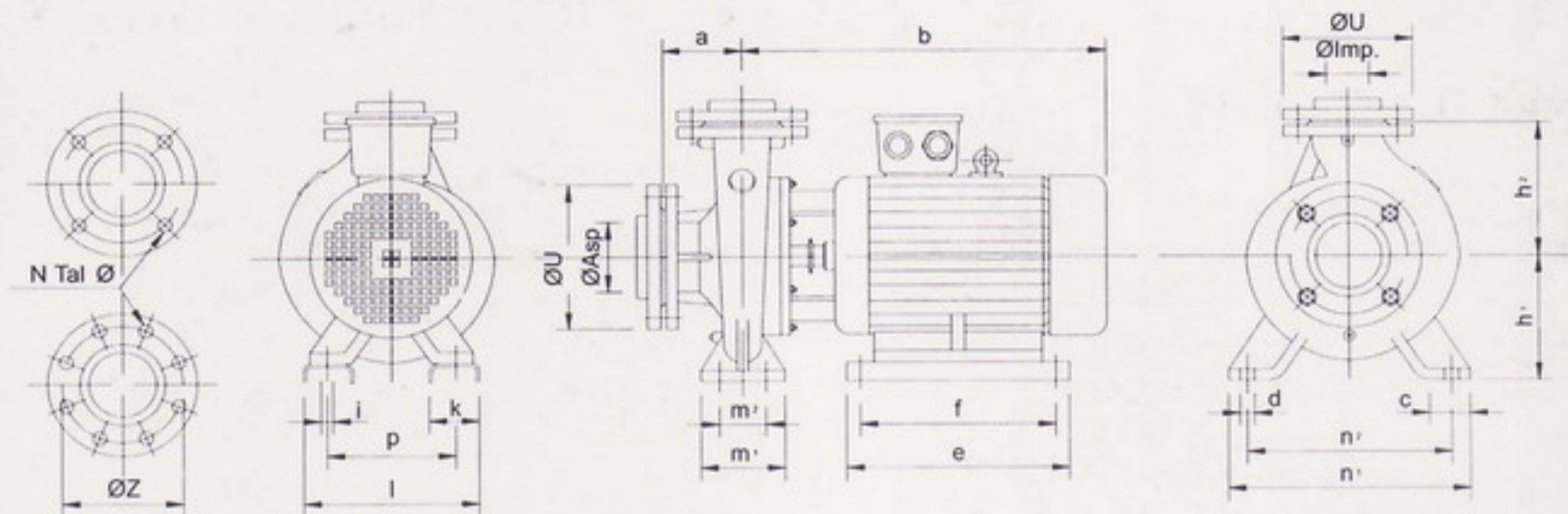


- ① Flanged Cast Iron casing with integrally cast feet.
- ② Mechanical seal fitted on stainless steel shaft.
- ③ The back pull-out feature of this pump allows removal of the motor, support frame and impeller, without disturbing the suction and delivery pipe work or the casing.
- ④ Mechanical seal complies to the VDMA International Dimension Standard.
- ⑤ Double shrouded hydraulically balanced impeller with rear balancing vanes on smaller sizes, and balance holes on larger sizes.
- ⑥ Every casing is fitted with a replaceable wear ring and also to back covers on larger pumps.
- ⑦ Use of standard motors allows for easy replacement (IEC Motor).

Applications

- Cooling Water
- Pressure Boosting
- De-Watering
- Fire Protection
- Plumbing

MP Monobloc Pumps Dimensions



Pump Model	DIMENSIONS															INLET					OUTLET					WEIGHT (KG)	
	a	b	h ₁	h ₂	c	m ₁	m ₂	n ₁	n ₂	d	e	f	i	k	l	p	øASP	øz	øu	N	e	øIMP	øz	øu	N		e
MP 32/16-2	80	373	132	160	50	100	70	240	190	14	-	-	-	-	-	-	50	125	165	4	18	32	100	140	4	18	43
MP 32/16-3	80	398	132	160	50	100	70	240	190	14	-	-	-	-	-	-	50	125	165	4	18	32	100	140	4	18	47
MP 32/16-4	80	416	132	160	50	100	70	240	190	14	-	-	-	-	-	-	50	125	165	4	18	32	100	140	4	18	57
MP 32/20-5.5	80	431	160	180	50	100	70	240	190	14	-	-	-	-	-	-	50	125	165	4	18	32	100	140	4	18	72
MP 32/20-7.5	80	482	160	180	50	100	70	240	190	14	280	230	12	70	290	216	50	125	165	4	18	32	100	140	4	18	94
MP 32/20-10	80	482	160	180	50	100	70	240	190	14	280	230	12	70	290	216	50	125	165	4	18	32	100	140	4	18	99
MP 32/26-15	100	511	180	225	65	125	95	320	250	14	320	270	12	70	290	216	50	125	165	4	18	32	100	140	4	18	133
MP 32/26-20	100	591	180	225	65	125	95	320	250	14	350	300	14	80	340	254	50	125	165	4	18	32	100	140	4	18	168
MP 40/16-4	80	416	132	160	50	100	70	240	190	14	-	-	-	-	-	-	65	145	185	4	18	40	110	150	4	18	59
MP 40/16-5.5	80	431	132	160	50	100	70	240	190	14	-	-	-	-	-	-	65	145	185	4	18	40	110	150	4	18	69
MP 40/20-7.5	100	482	160	180	50	100	70	265	212	14	280	230	12	70	290	216	65	145	185	4	18	40	110	150	4	18	97
MP 40/20-10	100	482	160	180	50	100	70	265	212	14	280	230	12	70	290	216	65	145	185	4	18	40	110	150	4	18	102
MP 40/26-15	100	511	180	225	65	125	95	320	250	14	320	270	12	70	290	216	65	145	185	4	18	40	110	150	4	18	133
MP 40/26-20	100	591	180	225	65	125	95	320	250	14	350	300	14	80	340	254	65	145	185	4	18	40	110	150	4	18	168
MP 50/13-3	100	398	132	160	50	100	70	240	190	14	-	-	-	-	-	-	65	145	185	4	18	50	125	165	4	18	49
MP 50/13-4	100	416	132	160	50	100	70	240	190	14	-	-	-	-	-	-	65	145	185	4	18	50	125	165	4	18	60
MP 50/13-5.5	100	431	132	160	50	100	70	240	190	14	-	-	-	-	-	-	65	145	185	4	18	50	125	165	4	18	70
MP 50/16-7.5	100	482	160	180	50	100	70	265	212	14	280	230	12	70	290	216	65	145	185	4	18	50	125	165	4	18	96
MP 50/16-10	100	482	160	180	50	100	70	265	212	14	280	230	12	70	290	216	65	145	185	4	18	50	125	165	4	18	101
MP 50/20-15	100	511	160	200	50	100	70	265	212	14	320	270	12	70	290	216	65	145	185	4	18	50	125	165	4	18	125
MP 50/20-20	100	591	160	200	50	100	70	265	212	14	270	210	15	70	330	254	65	145	185	4	18	50	125	165	4	18	160
MP 50/26-30	100	676	180	225	65	125	95	320	250	14	311	241	15	70	355	279	65	145	185	4	18	50	125	165	4	18	227
MP 65/13-7.5	100	482	160	200	65	125	95	280	212	14	280	230	12	70	290	216	80	160	200	8	18	65	145	185	4	18	98
MP 65/13-10	100	482	160	200	65	125	95	280	212	14	280	230	12	70	290	216	80	160	200	8	18	65	145	185	4	18	103
MP 65/16-15	100	511	160	200	65	125	95	280	212	14	320	270	12	70	290	216	80	160	200	8	18	65	145	185	4	18	120
MP 65/16-20	100	591	160	200	65	125	95	280	212	14	270	210	15	70	330	254	80	160	200	8	18	65	145	185	4	18	155
MP 65/20-20	100	591	180	225	65	125	95	320	250	14	350	300	14	80	340	254	80	160	200	8	18	65	145	185	4	18	166
MP 65/20-25	100	646	180	225	65	125	95	320	250	14	400	350	14	80	340	254	80	160	200	8	18	65	145	185	4	18	189
MP 65/20-30	100	676	180	225	65	125	95	320	250	14	311	241	15	70	355	279	80	160	200	8	18	65	145	185	4	18	221
MP 80/16-15	125	511	180	225	65	125	95	320	250	14	320	270	12	70	290	216	100	180	220	8	18	80	160	200	8	18	133
MP 80/16-20	125	591	180	225	65	125	95	320	250	14	350	300	14	80	340	254	100	180	220	8	18	80	160	200	8	18	168
MP 80/16-25	125	646	180	225	65	125	95	320	250	14	400	350	14	80	340	254	100	180	220	8	18	80	160	200	8	18	191
MP 80/16-30	125	676	180	225	65	125	95	320	250	14	311	241	15	70	355	279	100	180	220	8	18	80	160	200	8	18	223

All specifications subject to change without notice.

World Pumps (Thailand) Co.,Ltd.

599/99 M.6 Soi Annex Phaholyothin Rd.,

Saimai Bangkok Thailand 10220

Phone: 662 993 5858

Fax: 662 993 6278

Email: sales@wpthai.com.

www.wpthai.com



EUROFLO